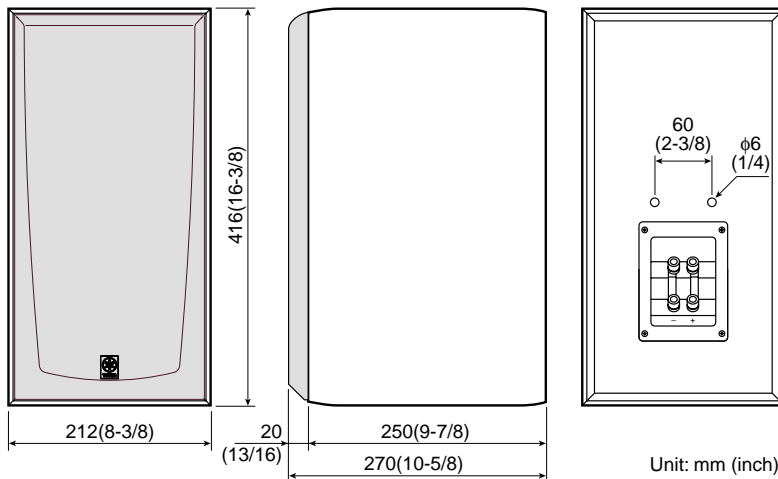


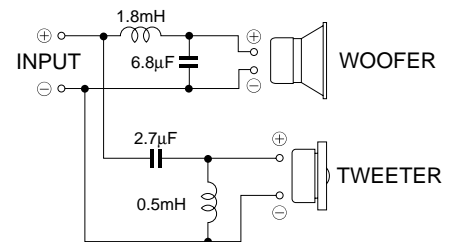
SPEAKER SYSTEM NS-100

SERVICE MANUAL

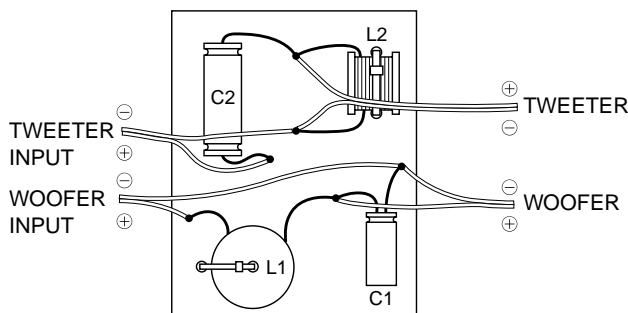
■ DIMENSIONS



■ NETWORK CIRCUIT DIAGRAM



■ WIRING DIAGRAM



■ SPECIFICATIONS

Type 2-way 2-speaker bass reflex speaker system

Speaker Unit

Woofer 16 cm (6.5") corn

Tweeter 3 cm (1") dome

Nominal Impedance 6 ohms

Frequency Response 38 Hz ~ 35 kHz

Nominal Input Power 100 W

Maximum Input Power 300 W

Sensitivity 90 dB/2.83 V/m

Crossover Frequency 3 kHz

Dimensions (W x H x D) 212 x 416 x 270 mm
(8-3/8" x 16-3/8" x 10-5/8")

Weight 8.6 kg (19 lbs.) / 1 piece

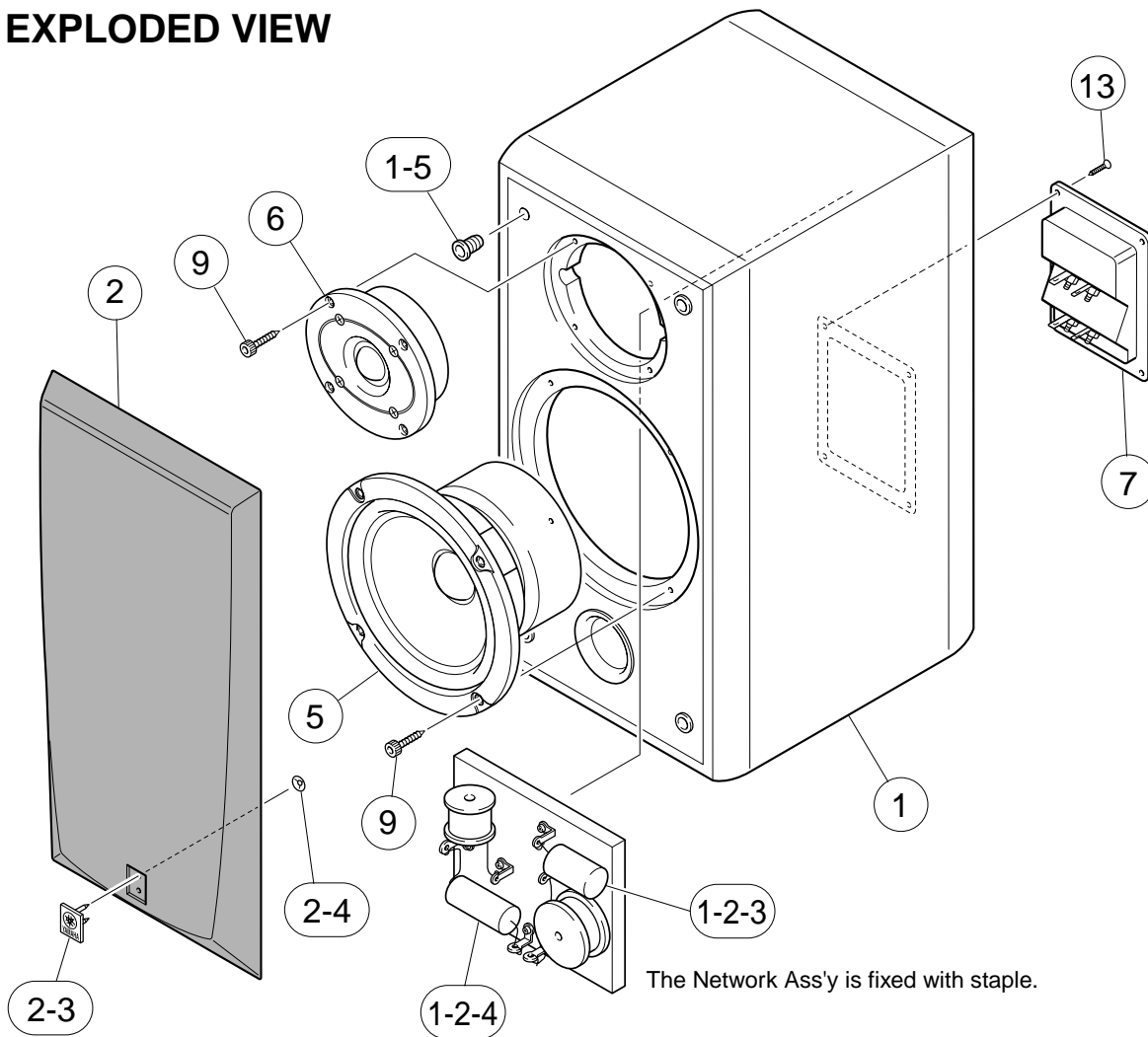
* Specifications are subject change without notice due to product improvements.



このサービスマニュアルは、エコマーク認定の再生紙を使用しています。
This Service Manual uses recycled paper.



■ EXPLODED VIEW



■ PARTS LIST

Ref. No.	PART NO.	Description	Remarks	Markets
* 1	V4051600	CABINET ASS'Y		CH
* 1	V4051700	CABINET ASS'Y		BL
* 1-2-3	VA806800	ELECTROLYTIC CAP	6.8uF 50V	
1-2-4	FR116270	PAPER CAPACITOR	2.7uF 160V	
1- 5	CB605250	HOLDER		
* 2	V4051400	FRONT GRILLE ASS'Y		CH
* 2	V4585200	FRONT GRILLE ASS'Y		BL
2- 3	V2192200	EMBLEM	YAMAHA	
2- 4	VP161000	PUSH NUT	SPN1.5	
* 5	XW230A00	LOUD SPEAKER	16cm	
* 6	XW232A00	LOUD SPEAKER	2.5cm	
* 7	V4041400	SPEAKER TERMINAL	4P	
* 9	V4041500	HEXAGON HEAD WOOD SCREW	4x20 MFCR3	
13	EN230180	OVAL HEAD TAPPING SCREW	3.5x16 MFC2-BL	
* 13	V4053100	ACCESSORIES TAPPING SCREW	6x12 MFC2-BL	

* New Parts